

High Power Isolator-1310, 1550nm. (1-20W)

Specifications

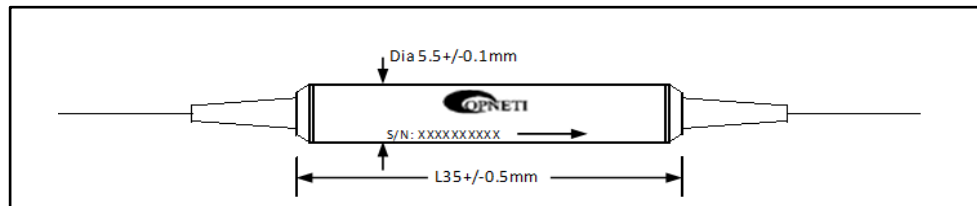
Parameters	Unit	Non-PM Isolator (HPIS)		PM Isolator (HPMIS)	
		Single Stage	Dual Stage	Single Stage	Dual Stage
Type		Single Stage	Dual Stage	Single Stage	Dual Stage
Operating Wavelength	nm	1310, 1550			
Bandwidth (nm)	nm	±20			
Peak Isolation	dB	≥42	≥58	≥42	≥58
Isolation at 23 °C	dB	≥28	≥48	≥28	≥48
Insertion Loss at 23 °C	dB	≤0.55	≤0.65	≤0.55	≤0.65
Extinction Ratio	Type1 (Fast Axis Blocked)	--		≥22	
	Type2 (Both Axis Working)	--		≥20	
PDL	dB	≤0.10	≤0.15	--	
Return Loss (Input/Output)	dB	≥50			
Power Handling	W	1, 2, 3, 5, 10, 20			
Fiber Type		SMF-28e		PM1310, PM1550	
Operating Temperature	°C	-5 ~ +70			
Storage Temperature	°C	-40 ~ +85			
Dimensions	mm	5.5x35, 80x12x10			

*For devices with connectors, IL+0.3dB, RL-5dB, ER-2dB.

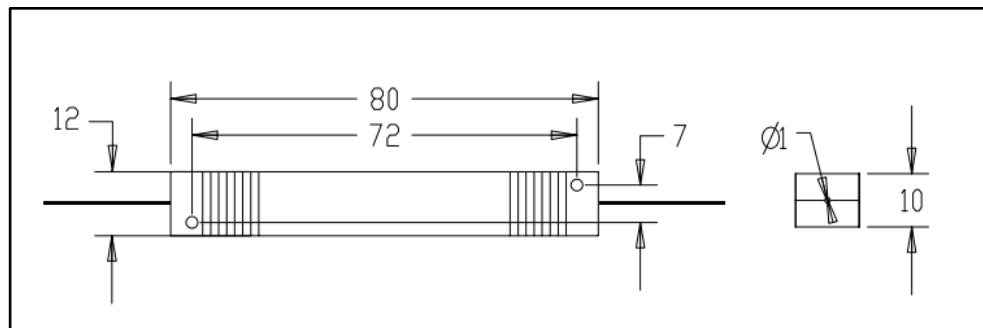
*Optical Power 1W only after connector added.

*The default connector key is aligned to slow axis.

Package Dimensions



for 1~5 W



for 6~20W

Ordering Information

HPIS- ①-②②②②-③-④④④-⑤-⑥-⑦⑦-⑧⑧⑧⑧⑧-⑨⑨
 HPMIS- ①-②②②②-③-④④④-⑤-⑥-⑦⑦-⑧⑧⑧⑧⑧-⑨⑨

①	Type	S=Single Stage; D=Dual Stage;
②	Wavelength	1310; 1550;
③	Axis Alignment	F=Fast Axis Blocked; B=Both Axis Working;
④	Pigtail Type	250=250µm Fiber; 900=900µm Loose Tube;
⑤	Fiber Type	1=SMF-28e; 2=PM Fiber;
⑥	Length	1=1m;
⑦	Connector	NE=None; FA=FC/APC; FC=FC/UPC; SA=SC/APC; SC=SC/UPC; XX=Other;
⑧	Package Size	5.5x35; 80x12x10;
⑨	Power Handling	1W; 2W; 3W; 5W; 10W; 20W